

multikon chili-dim

dimension control standalone version



The inspection system **multikon chili-dim** offers the following functions:

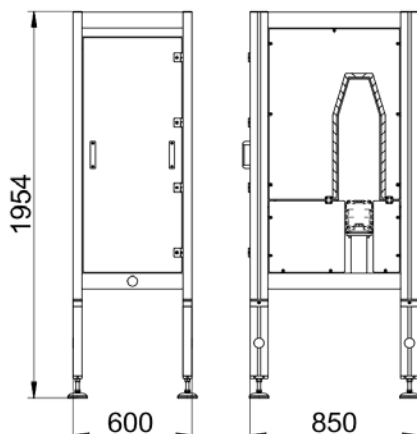
- Dimensional inspection
- Measurement of height, width, inclination, ovality, shape and many other critical dimensional parameters
- High resolution two camera optics with telecentric optical path

Highlights



- Synchronized image capture eliminates measurement inaccuracies
- Contrast optimized images for all glass colors
- Angular measurements independent of container rotation
- User defined measurements

Short specification



- **Dimensions:**
approx. 600mm x 850mm x 2000mm
- **Performance:**
400 containers / minute,
higher speed upon request
- **Conveyor speed:**
maximum 1 m/s
- **Container dimensions:**
height: max. 600mm
diameter: max. 200mm

multikon chili-fim

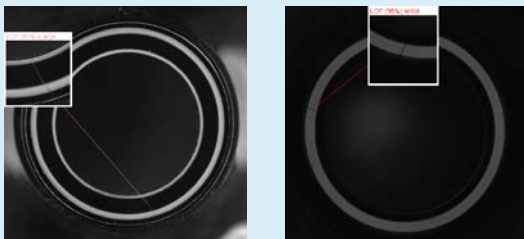
finish inspection mobile standalone version



The inspection system **multikon chili-fim** offers the following functions:

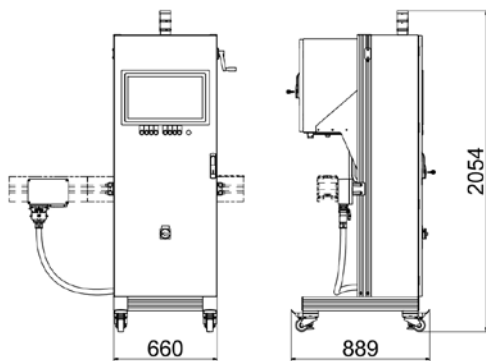
- 2 finish inspection methods (reflection and incident light)
- Newest high resolution digital camera technology
- Detection of numerous defect types like blisters, line overs, chips... etc.
- Defect types can be defined at will
- Mobile device, easily fits various production line layouts

Highlights



- 2 inspection methods (reflection and incident light) guarantee best inspection results for defects on the sealing surface as well as defects deeper in the finish

Short specification



- **Dimensions:**
approx. 660mm x 900mm x 2050mm
- **Performance:**
400 containers / minute,
higher speed upon request
- **Conveyor speed:**
maximum 1 m/s
- **Container dimensions:**
height: max. 600mm
diameter: max. 200mm
finish diameter: max. 120mm

Symplex Vision Systems GmbH

D-80686 München Grüntenstr. 10a Tel. +49 89 552798 0 Fax +49 89 552798 79 info@symplex.de www.symplex.de